



DuPont™ Corian® The Collection of Sinks and Bowls

A RANGE OF STANDARD CORIAN® SINKS AND BOWLS
CREATED USING BEAUTY & FUNCTIONALITY TECHNOLOGY



corian.

DuPont™ Corian®
The Collection of Sinks and Bowls





Let your imagination flow

IMAGINE A KITCHEN OR BATHROOM WHERE COLOURS AND TEXTURES FLOW SEAMLESSLY TOGETHER. WHERE SURFACES, SINKS AND BOWLS BECOME ELEGANT WATERFALLS OF SMOOTH, SLEEK LINES

Wouldn't it be wonderful if you could design your kitchen or bathroom to be like that? You can. With Corian®. Simply make Corian® kitchen sinks and vanity bowls integral parts of your Corian® surfaces. It's not only a sensational look, but practical. With the non-porous nature of Corian® there are no open sink joints or seams. So you can spend less time worrying about stains, dirt, germs and mildew. And find time for much more creative endeavours than cleaning. The ability to create an entire, continuous surface in Corian®, incorporating sinks or bowls, is one of material's main advantages. Seamed undermounting techniques eliminate rims that trap dirt and water, minimizing cleaning and maintenance. The ease of installation of single or double sinks or a series of units, makes it possible to design spaces that respond to criteria of practicality and multiple use, alongside highly emotional, individual, aesthetic values.

Left: Board kitchen with worktop and integrated sink in DuPont™ Corian®; design Pietro Arosio, photo courtesy of Snaidero. The sink shown in this image is a fabricated sink in DuPont™ Corian® developed by companies other than DuPont, it is not a standard sink or bowl produced and marketed by DuPont; the image of this sink is shown to propose an example of the wide application potential of DuPont™ Corian® in the area of sinks and bowls. Above: Tamos kitchen by Leicht Küchen with worktop in DuPont™ Corian® and Mixa sink (body in DuPont™ Corian® with a stainless steel base); design Interior Leicht; photo courtesy of Leicht Küchen



The Shape of Things to Come

CORIAN® OFFERS THE WISDOM OF CHOICE, COMBINED WITH THE EXPERTISE
THAT COMES WITH MANY YEARS OF SERVICE AND EXPERIENCE

The future for bathroom and kitchen design is bright, whether you choose from an extensive range of ready-made shapes of Corian® sinks and bowls, or a customized creation exploring the materials' extraordinary versatility and design flexibility.

Either way these shapes can be smoothly fitted to a Corian® countertop forming a uniform unit and leaving a seamless finish with no place for dirt to hide.

Standard models are available in a limited number of solid colours, while customized design can be made in any hue from the unique Corian® colour palette on offer.

There is also the DuPont fabricated sink option, which features a seamless Corian® body flowing from the worktop to meet a stainless steel bottom.

This offering comes with a range of accessories, use and care guidelines and is supported by a Limited DuPont™ Corian® warranty when supplied by our highly skilled network of approved fabricators.

A helpful choice of fifteen ready-moulded sinks and four bowls are available in a variety of colours and sizes, shapes and configurations. A range of shapes with softer, curving corners is also available.

Left: The elegantly square 965 measures 451 mm x 451 mm. Photo Leo Torri for DuPont™ Corian®

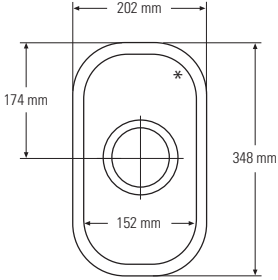
SMALL SINGLE SINKS



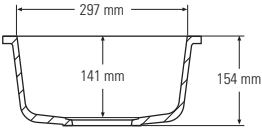
857



TOP VIEW
* overflow



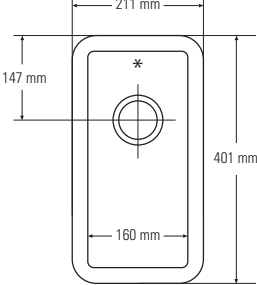
CROSS-SECTION



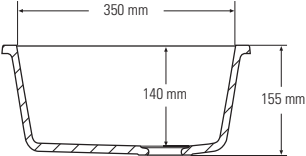
967



TOP VIEW
* overflow



CROSS-SECTION



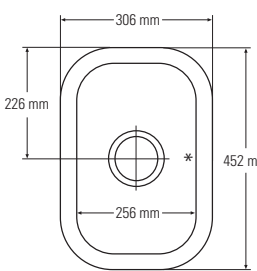
SMALL SINGLE SINKS



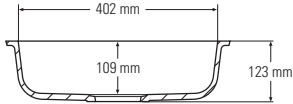
802



TOP VIEW
* overflow



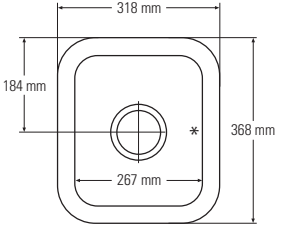
CROSS-SECTION



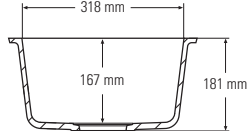
809



TOP VIEW
* overflow



CROSS-SECTION



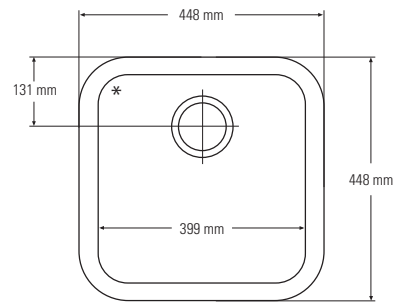
SINGLE SINKS



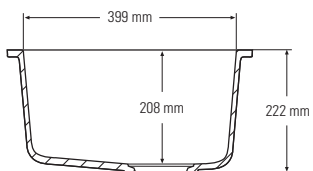
804



TOP VIEW
* overflow



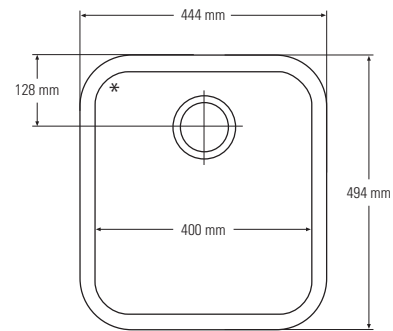
CROSS-SECTION



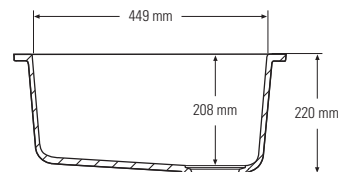
805



TOP VIEW
* overflow



CROSS-SECTION



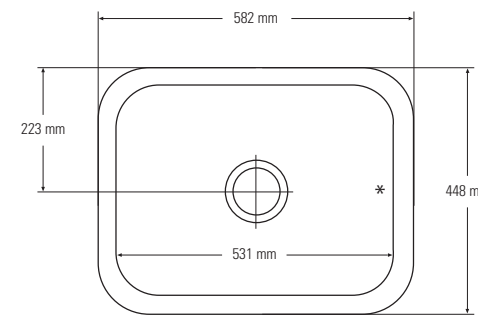
SINGLE SINKS



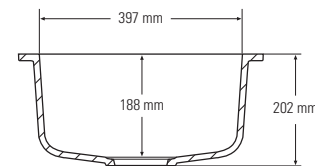
871



TOP VIEW
* overflow



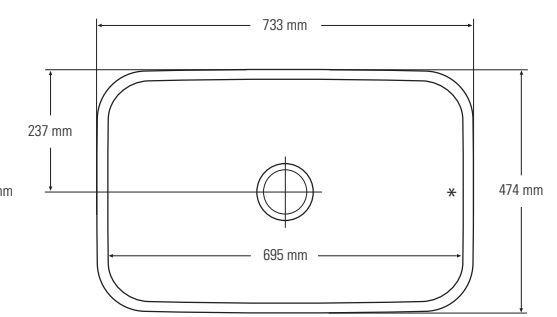
CROSS-SECTION



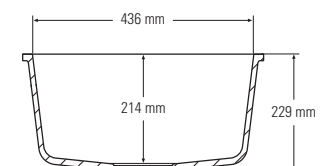
881



TOP VIEW
* overflow



CROSS-SECTION



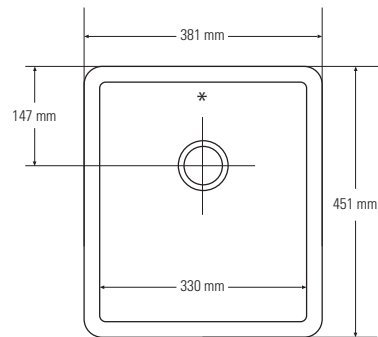
SINGLE SINKS



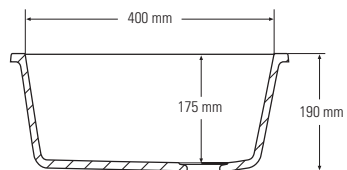
969



TOP VIEW
* overflow



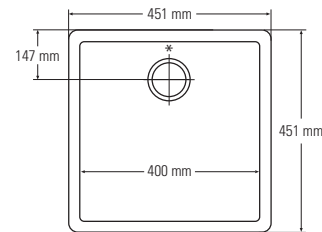
CROSS-SECTION



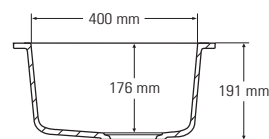
965



TOP VIEW
* overflow



CROSS-SECTION



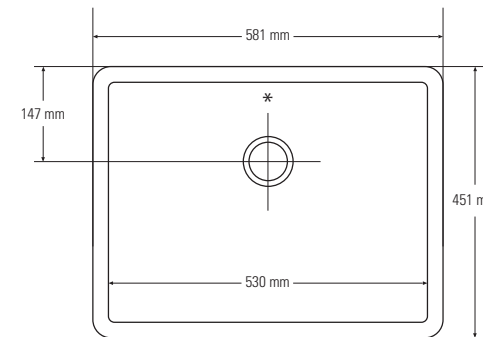
SINGLE SINKS



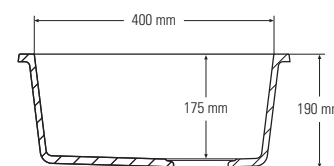
970



TOP VIEW
* overflow



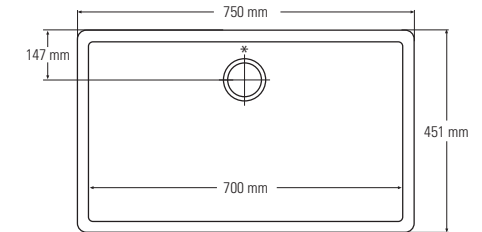
CROSS-SECTION



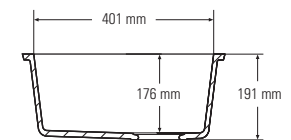
966



TOP VIEW
* overflow



CROSS-SECTION



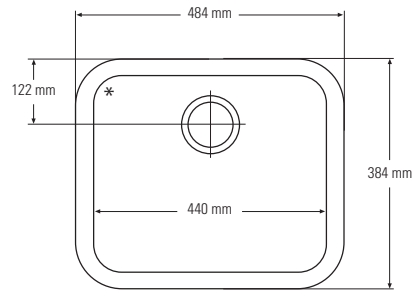
SINGLE SINKS



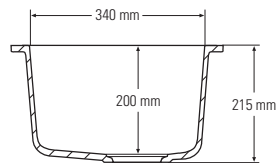
859



TOP VIEW
* overflow



CROSS-SECTION



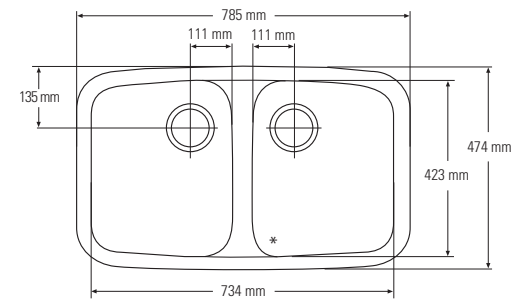
DOUBLE SINKS



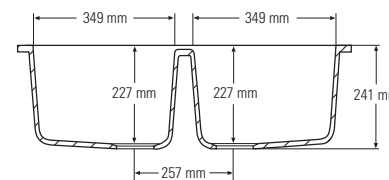
850



TOP VIEW
* overflow



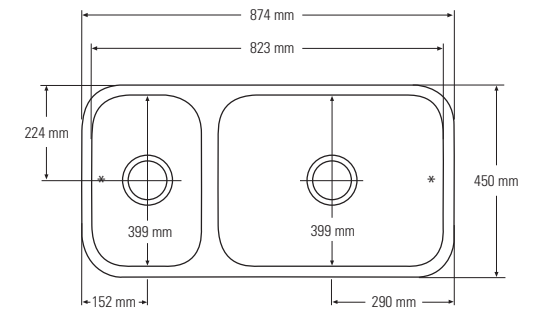
CROSS-SECTION



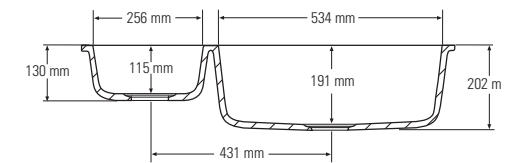
873



TOP VIEW
* overflow



CROSS-SECTION



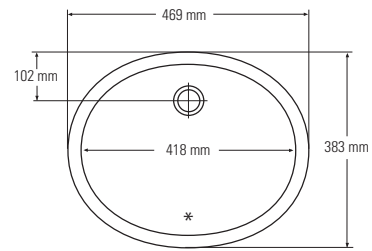
BOWLS



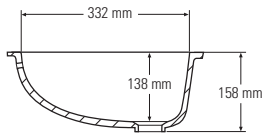
810



TOP VIEW
* overflow



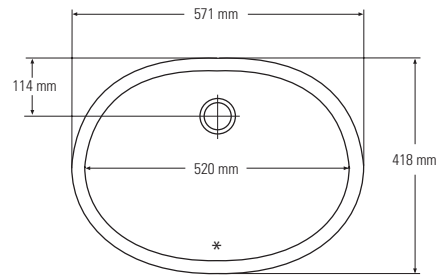
CROSS-SECTION



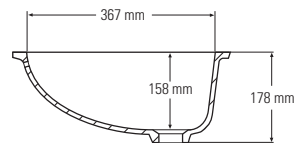
815



TOP VIEW
* overflow



CROSS-SECTION



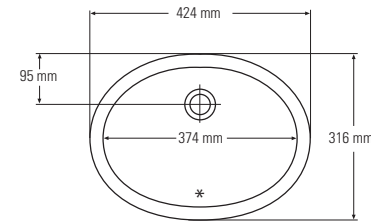
BOWLS



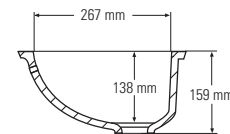
820



TOP VIEW
* overflow



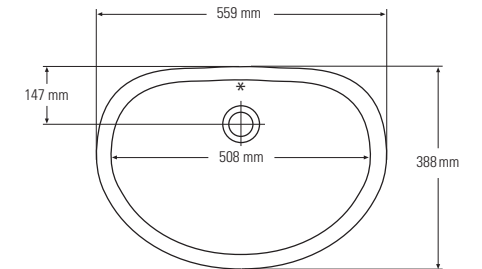
CROSS-SECTION



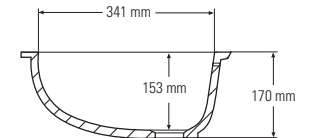
831



TOP VIEW
* overflow



CROSS-SECTION



DOUBLE SINKS



850



873

SMALL SINGLE SINKS



857



967



802



809

SINGLE SINKS



804



805



871



881



969



965



970



966



859

BOWLS



810



815



820



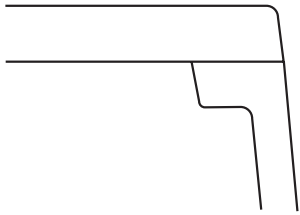
831



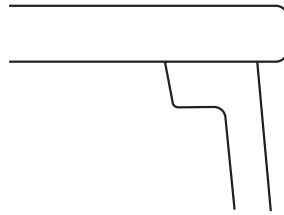
Ola 20 kitchen by Snaidero with worktop and integrated sink in DuPont™ Corian®; design Pininfarina; photo Diego Alto for DuPont™ Corian®.

MOUNTING OPTIONS

UNDERMOUNT SEAMLESS

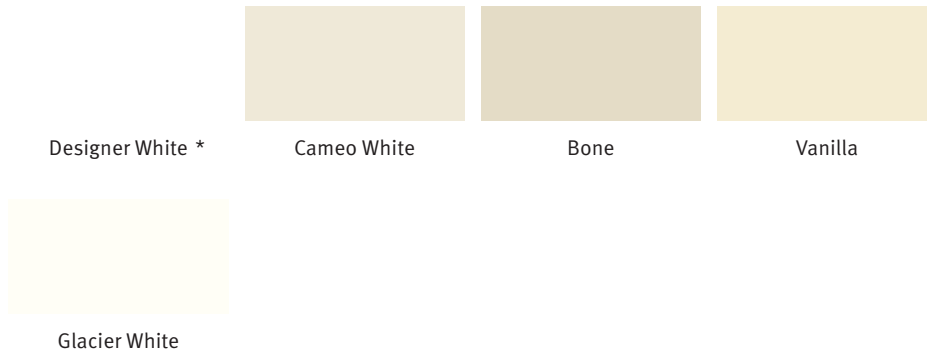


UNDERMOUNT CLASSICAL



COLOUR OPTIONS

It's easy to find a colour combination in Corian® that expresses your attitude, personality and sense of style.



* Available as of January 1st, 2013 for the following shapes: 965, 966, 967, 969, 970

USE AND CARE

Depend on us to make your life easier. Corian® is an advanced blend of natural materials and acrylic polymer. By nature, that makes Corian® easy to clean, easy to care for and easy to live with. Of course, Corian® isn't self-cleaning. Few things are. But only minimal care is required to maintain its good looks. And if accidents happen, it's a comfort to know that Corian® is non-porous, stain-resistant, durable and renewable. For detailed instructions, please ask your Corian® specialist for guidelines on using and caring for your Corian®.



QUALITY NETWORK & WARRANTY

Count on us to keep our promises. Corian® is backed by a 10-Year Limited Product Warranty. When the Corian® Quality Network installs your Corian®, the entire installation is under limited warranty for 10 years, too. Our team of authorised fabricators and installers are trained in the latest techniques for working with Corian®. And they're committed to deliver the highest levels of quality and customer service at the lowest possible installed cost.



On the cover: Linea kitchen by Complex with worktop and integrated sink in DuPont™ Corian®, design Marconato & Zappa; photo courtesy of Complex.

www.corian.com

The DuPont Oval, DuPont™, The miracles of science™ and Corian® are registered trademarks or trademarks of E.I. du Pont de Nemours and Company or its affiliates. Only DuPont produces Corian®. Copyright © 2012 DuPont. All rights reserved. Other logos, registered trademarks and trademarks are property of their respective owners.



corian.



Printed in Italy with soy-based inks



www.corian.co.uk
www.corian.com

The DuPont Oval, DuPont™, The miracles of science™ and Corian® are registered trademarks or trademarks of E.I. du Pont de Nemours and Company or its affiliates. Only DuPont produces Corian®. Copyright © 2012 DuPont. All rights reserved. Other logos, registered trademarks and trademarks are property of their respective owners.

DPS-1131-12



The miracles of science™